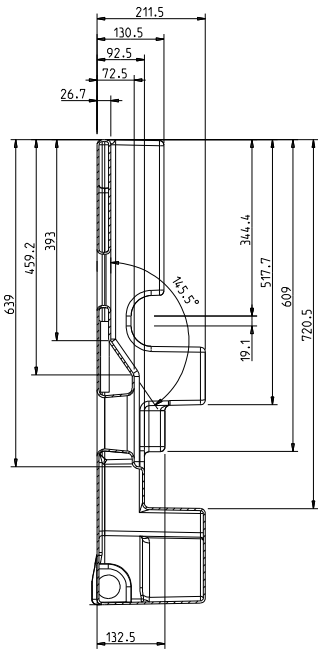
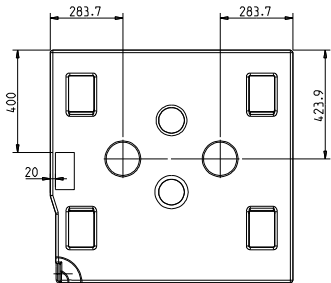


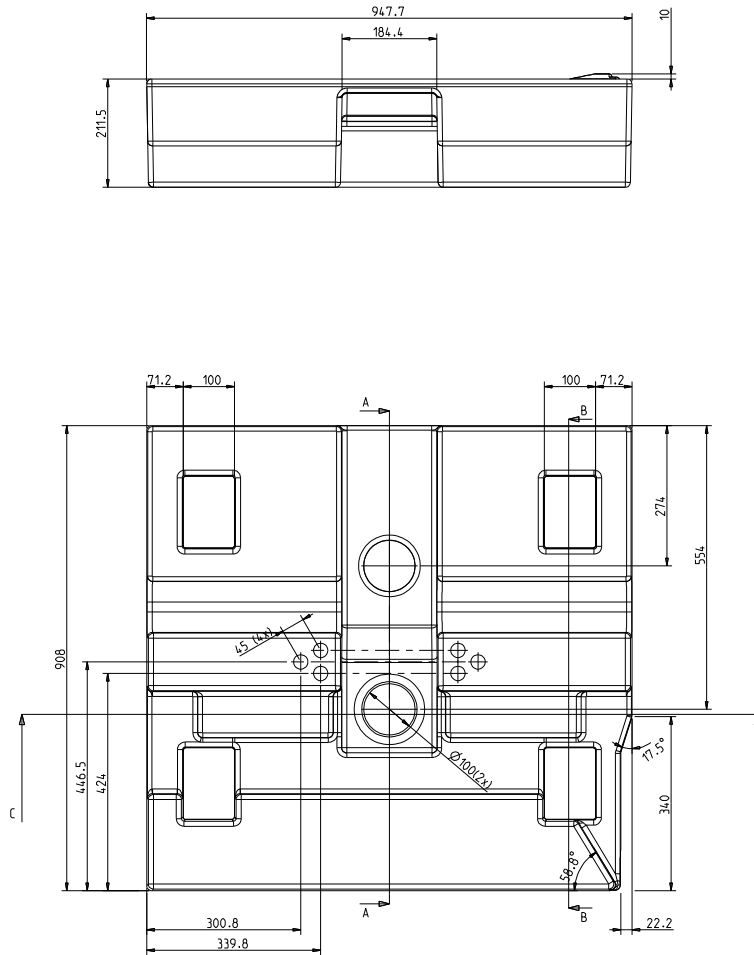
TOLERANCES FOR UNDIMENSIONED PARTS: ACCORDING TO EN ISO 12991
 TOLERANCES FOR WALL THICKNESSES: ± 0.2 mm
 TOLERANCES FOR DIMENSIONS: ± 0.2 mm
 TOLERANCES FOR DIMENSIONS: ± 0.2 mm



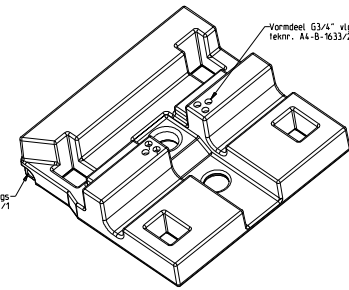
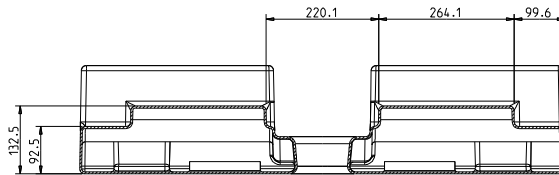
SECTION A-A



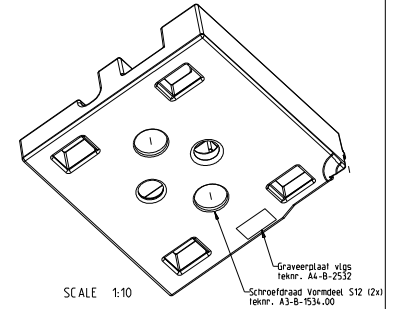
SCALE 1:10



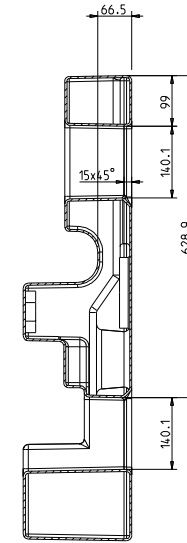
SECTION C-C



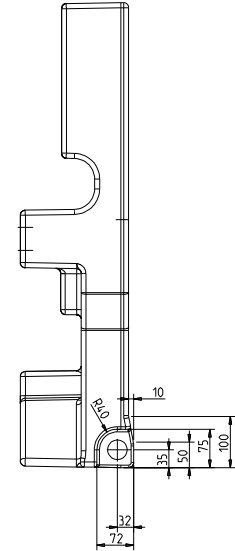
SCALE 1:10



SCALE 1:10



SECTION B-B



General Note:
 - Radii, if nothing else specified, R10
 - Draft, if nothing else specified, 1°
 - Internal Volume: ± 93 Liter

Finishing	
-X	-
-X	-
Accessories	
-X	-
-X	-

DT	14-03-06	RV	Vormdelen en positie gewijzigd
REV	DATE	NAME	DESCRIPTION
DESCRIPTION: EV2222 Binnentank Inbox Flat			
This drawing remains the property of Bonar Plastics B.V. and may not be reproduced either whole or in part, not permitted for inspection to third parties, without the express written permission.			
PROJECT NO.	CR6232	CUSTOMER	Bonar Plastics
SCALE	1:5	DRAWN	RV
MATERIAL: LLDPE			
SURFACE: 0 - RZ			
FINISH: A1			
SHEET: 1 of 1			
Bonar Plastics B.V. Zeevedersstraat 65/10 7120 AA Deventer The Netherlands		Telephone: +31 (0)76-660706 Fax: +31 (0)76-660700 E-mail: netwerk@bonarplastics.com Internet: www.bonarplastics.com	
LIMITS		mm	
A1-02622.01			